

ITEM NO.	PART NUMBER	DESCRIPTION	QTY.
1	3-104/00	ASSY, SPOUT WIDESPREAD LAV RIBBED HIGH	1
	10938/00	ESCUTCHEON, SPOUT LAV EDGE SERIES	1
	10945/00	SPOUT, WIDESPREAD LAV HIGH EDGE	1
	92158	DOWEL PIN, 1/8" X 3/8"L	2
	10957/00	POP-UP KNOB, EDGE SERIES	1
	10719/00	POP-UP ROD, 10-24, 14" LONG	1
	10745	THREAD ALL, 3/8"-18 NPSL	1
	10746	NUT, 3/8"-18 NPSL	1
	1-112	TEE VALVE, 3/8" NPSM X 3/8" COMPRESSION	1
	10747	THREE WAY TEE, NL 3/8" COMP.	1
	10066	HEX SCREW SPUD	1
	10067	NUT, LOCKING 3/8"-18 NPSL WITH 3/4" HEX	1
	90011	O-RING, 5/16"ID X 7/16"OD X 1/16"THK, AS-568-011	1
	90514	RUBBER WASHER, 5/8"OD X 1/2"ID X .093"THK.	1
	10560	AERATOR, PCA CACHE 1.5GPM, M24X1.0 GREEN	1
	90031	O-RING, 1-3/4"ID X 1-7/8"OD X 1/16"THK, AS-568-031	1
	92174	WASHER MOUNT WIDESPREAD (3/8")	1
2	3-109/00	ASSY, HANDLE RIBBED LEVER	2
	10937/00	ESCUTCHEON, HANDLE EDGE SERIES	1
	10298/00	HANDLE, LEVER EDGE SERIES	1
	92005	SET SCREW, CUP PT 6-32UNC THREAD 3/16"L	1
	92176	WEAR WASHER	1
	92008	SET SCREW, CUP POINT 8-32	1
3	1-109	WIDESPREAD VALVE COLD LAV 16PT	1
	10716	VALVE BODY, WIDESPREAD LAV	1
	10248	INTERNAL SEAT FOR WIDESPREAD	1
	90013	O-RING, 7/16"ID X 9/16"OD X 1/16"THK, AS-568-013	1
	10235	CARTRIDGE, VALVE 1/2"G W/ 16PT COLD LEAD FREE	1
	92037-BL	NUT, FLANGED 1"-20 THREAD	2

-	-	INTERPRET GEOMETRIC DIMENSIONING & TOLERANCING IN ACCORDANCE WITH ASME Y14.5-2009 & ASME Y14.41-2003 STANDARDS, UNLESS OTHERWISE SPECIFIED. DIMENSIONS ARE IN INCHES. TOLERANCES ARE:
-	-	
-	-	
NEXT ASSY	USED ON	FRACTIONS ±1/64
APPLICATION		DECIMALS X.X: ±.1 X.XX: ±.01 X.XXX: ±.005
MATERIAL		ANGULAR ±.5°
FINISH	DRAWN	NAME DATE
	CHECKED	6/2/2013

WIDESPREAD FAUCET, LEVER HANDLE, STRIA SERIES

SIZE	ASM/PRT NO.	REV
A	291-02/00	
SCALE: 1:4	WEIGHT: lbs.	SHEET 1 OF 3

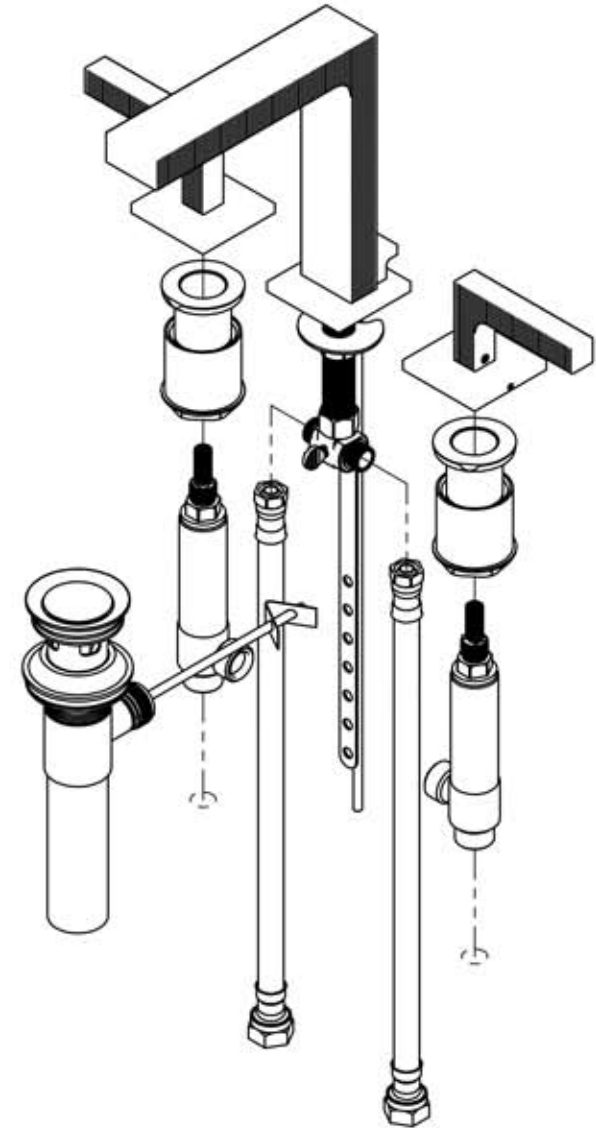
1261 LOGAN AVENUE
COSTA MESA, CALIFORNIA 92626
PHONE: 714.361.4800
FAX: 714.617.3120

PHYLIRICH®
Defining Luxury Since 1959

PROPRIETARY AND CONFIDENTIAL
THE INFORMATION CONTAINED IN THIS DRAWING IS THE SOLE PROPERTY OF RKS MANUFACTURING. ANY REPRODUCTION IN PART OR AS A WHOLE WITHOUT THE WRITTEN PERMISSION OF RKS MANUFACTURING IS PROHIBITED.

DO NOT SCALE DRAWING

ITEM NO.	PART NUMBER	DESCRIPTION	QTY.
	92180	EXTENSION SLEEVE, WIDESPREAD	1
	90029	O-RING, 1-5/8"ID X 1-3/4"OD X 1/16"THK, AS-568-029	1
A	6	2-093 RECESSED MOUNTING KIT FOR WIDESPREAD, HOT	1
	10998	SLEEVE MOUNT, WIDESPREAD	1
	92037-RD	NUT, FLANGED 1"-20 THREAD	1
	92180	EXTENSION SLEEVE, WIDESPREAD	1
	90029	O-RING, 1-5/8"ID X 1-3/4"OD X 1/16"THK, AS-568-029	1
7	10982	HOSE, 3/8" COMP. X 1/2" NPSM - 12"L	2
8	3-046/00	POP-UP DRAIN ASSEMBLY (2-101, 2-102)	1
B	10790	BODY, POP-UP DRAIN	1
	92089	MOUNTING NUT, DRAIN ASSY.	1
	92090	NYLON WASHER	1
	90505	CONICAL GASKET, RUBBER	1
	90506	RIM GASKET DRAIN	1
	10791	DRAIN RIM	1
	10796	STOPPER ROD	1
C	10795	GUIDE, POP-UP DRAIN	1
	10792	STOPPER DRAIN	1
	90507	GASKET, STOPPER DRAIN (O-RING)	1
	90508	GASKET, BALL ROD	1
	10794	BALL ROD	1
	92088	NUT, BALL ROD	1
	10793	TAIL TUBE	1
D	92092	CLIP POP-UP	1
	92091	PLASTIC GASKET	1
	90529	RUBBER WASHER, DRAIN ASSY. FOR BALL ROD	1
	92198	BRASS NUT, M6X1.0, FOR STOPPER ROD DRAIN ASSY.	1
	92199	STEEL STRAP FOR DRAIN ASSY (3-046)	1
	92200	WING NUT FOR STEEL STRAP DRAIN ASSY. 1/4-20	1



E	1261 LOGAN AVENUE COSTA MESA, CALIFORNIA 92626	PHYLIRICH [®] Defining Luxury Since 1959	PROPRIETARY AND CONFIDENTIAL THE INFORMATION CONTAINED IN THIS DRAWING IS THE SOLE PROPERTY OF RKS MANUFACTURING. ANY REPRODUCTION IN PART OR AS A WHOLE WITHOUT THE WRITTEN PERMISSION OF RKS MANUFACTURING IS PROHIBITED.
	PHONE: 714.361.4800 FAX: 714.617.3120		

-	-	INTERPRET GEOMETRIC DIMENSIONING & TOLERANCING IN ACCORDANCE WITH ASME Y14.5-2009 & ASME Y14.41-2003 STANDARDS. UNLESS OTHERWISE SPECIFIED, DIMENSIONS ARE IN INCHES. TOLERANCES ARE:			WIDESPREAD FAUCET, LEVER HANDLE, STRIA SERIES		
NEXT ASSY	USED ON	FRACTIONS ±1/64"	DECIMALS X.X: ±.1 X.XX: ±.01 X.XXX: ±.005	ANGULAR ±.5°	SIZE	ASM/PRT NO.	REV
APPLICATION			NAME	DATE	A	291-02/00	
MATERIAL			DRAWN	6/2/2013	SCALE: 1:8	WEIGHT: lbs.	SHEET 2 OF 3
FINISH			CHECKED				
DO NOT SCALE DRAWING							